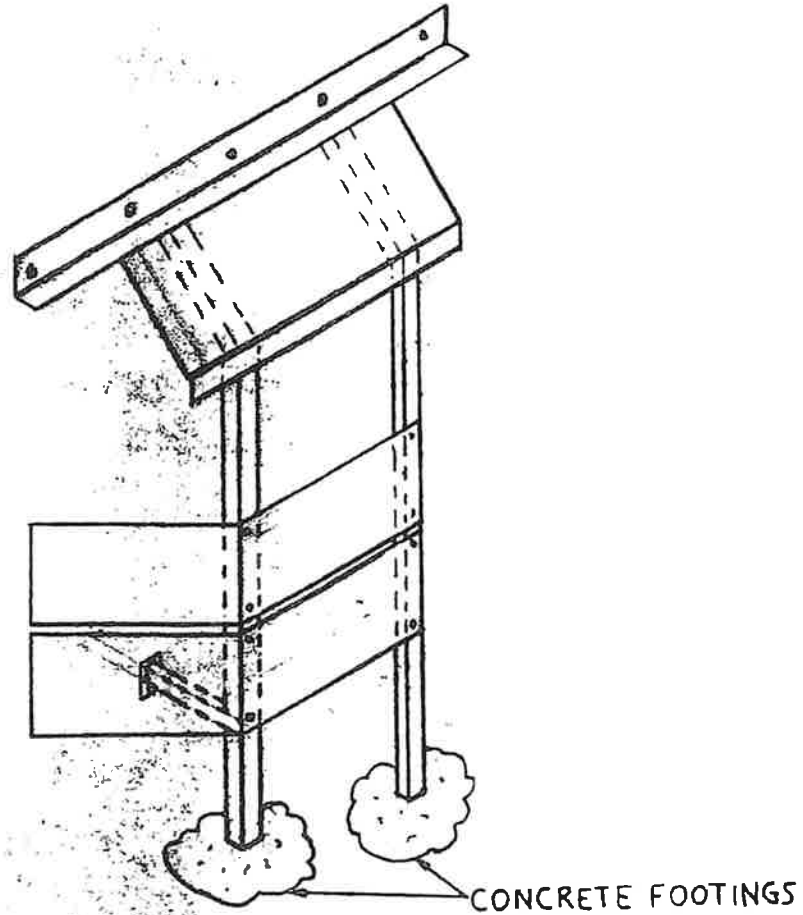
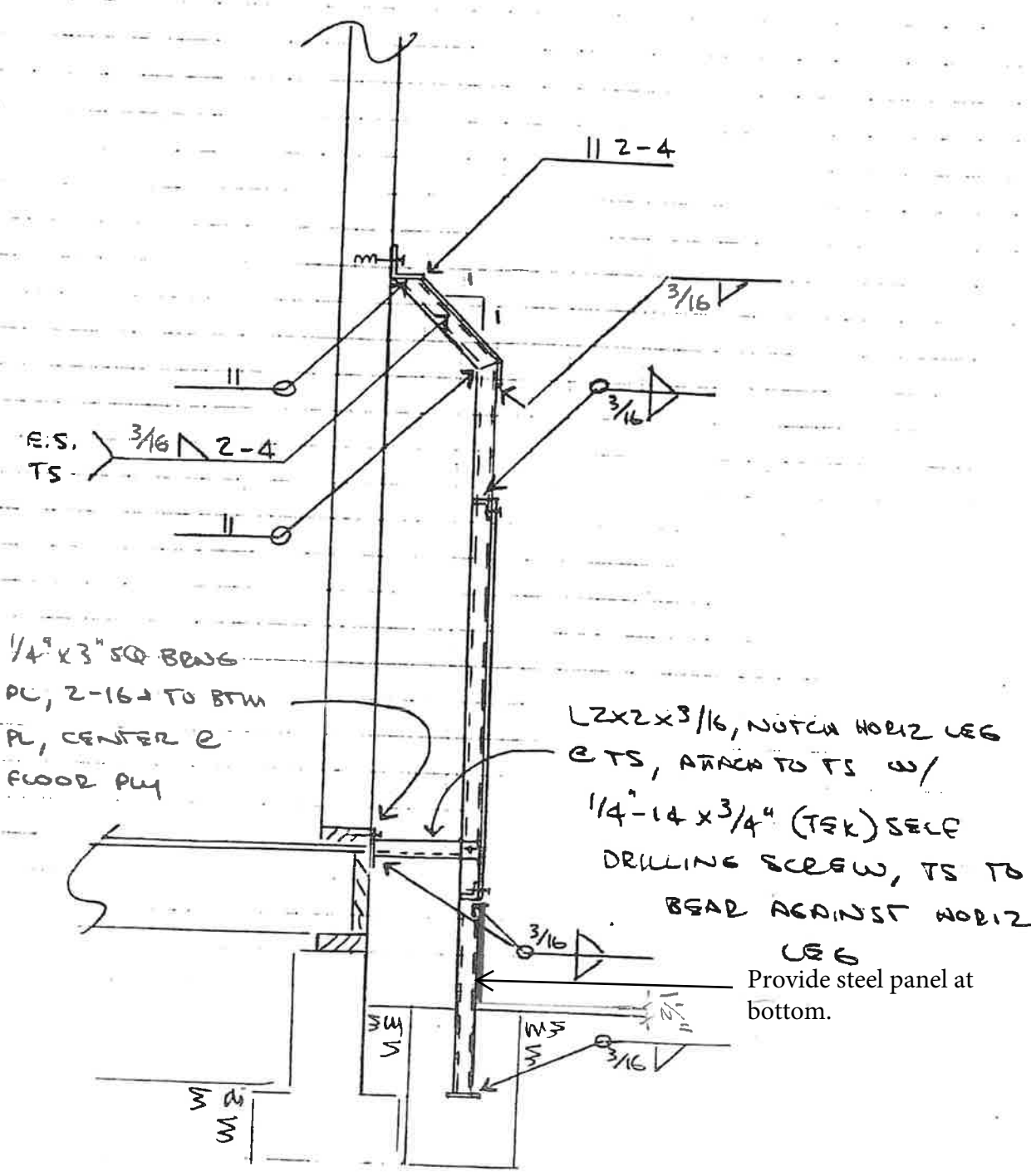


PROPANE METER PROTECTOR



- ALL STEEL CONSTRUCTION
- ENGINEERED TO TOWN SPECIFICATIONS
- SHOT PRIMER PAINTED READY FOR FINISH COAT
- CONCRETE FOOTINGS



E.S.
TS

|| 2-4

3/16

3/16

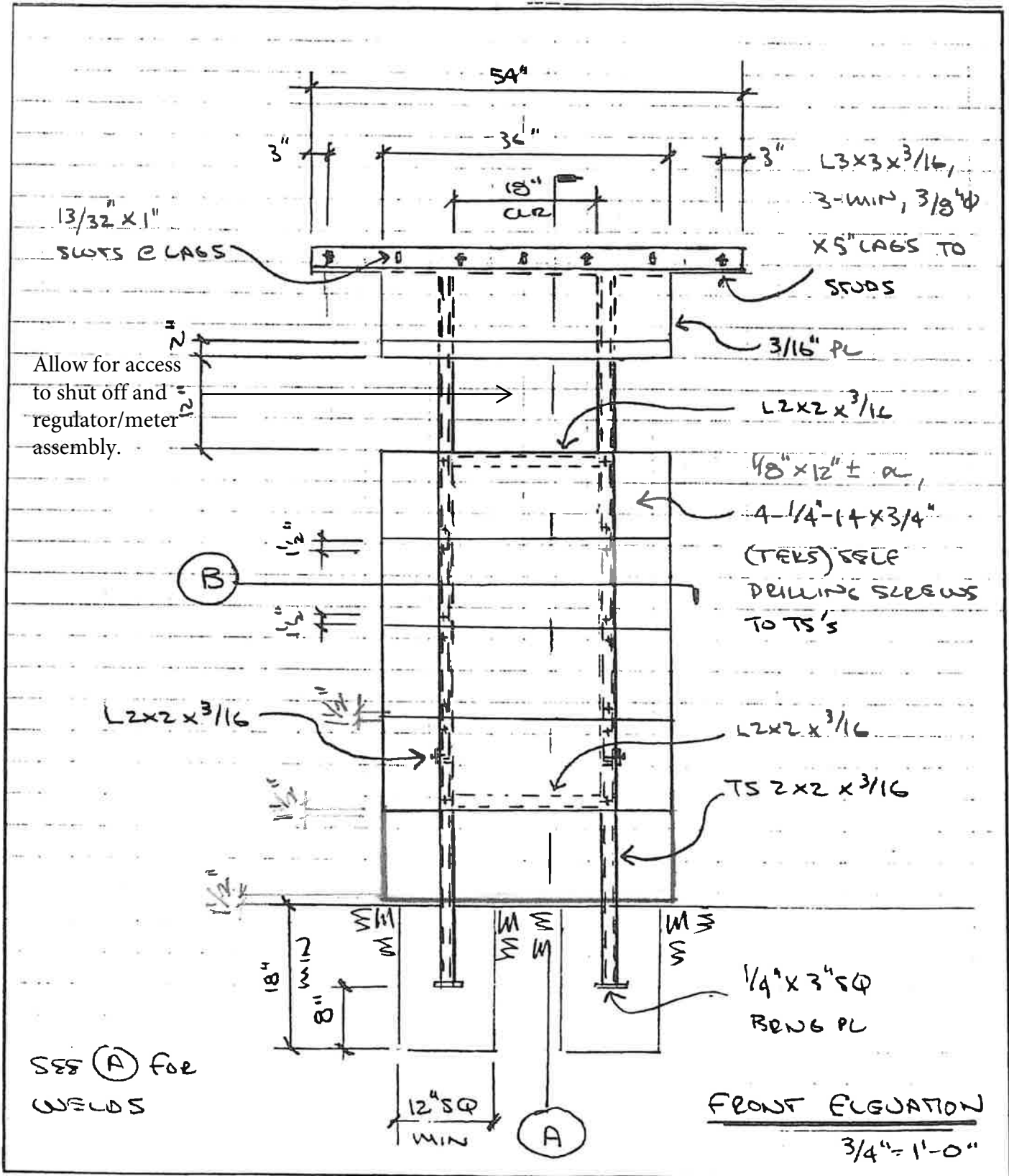
3/16 2-4

1/4" x 3" SQ BEAM
PL, 2-16 TO BTM
PL, CENTER @
FLOOR PL

L2x2x3/16, NOTCH HORIZ LEG
@ TS, ATTACH TO TS W/
1/4"-14 x 3/4" (TSK) SELF
DRILLING SCREW, TS TO
BEAR AGAINST HORIZ
LEG

Provide steel panel at
bottom.

A



13/32" x 1"
SWTS @ LAGS

Allow for access
to shut off and
regulator/meter
assembly.

L3x3x3/16,
3-MIN, 3/8"
X5" LAGS TO
STOODS

3/16" PL

L2x2x3/16

18" x 12" ± AL,
4-1/4"-1 x 3/4"
(TRKS) SELF
DRILLING SCREWS
TO TS'S

(B)

L2x2x3/16

L2x2x3/16

TS 2x2x3/16

1/2"

18"
MIN

8"

1/4" x 3" SQ
BENG PL

SEE (A) FOR
WELDS

12" SQ
MIN

(A)

FRONT ELEVATION

3/4" = 1'-0"